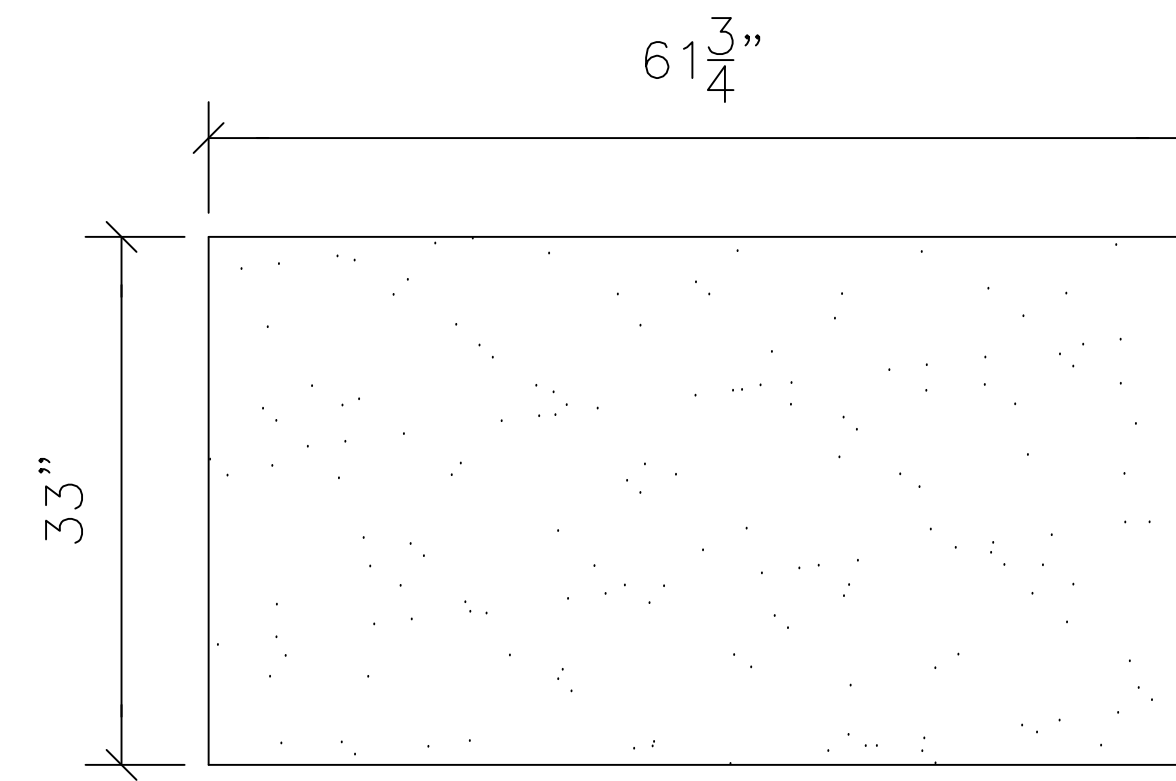
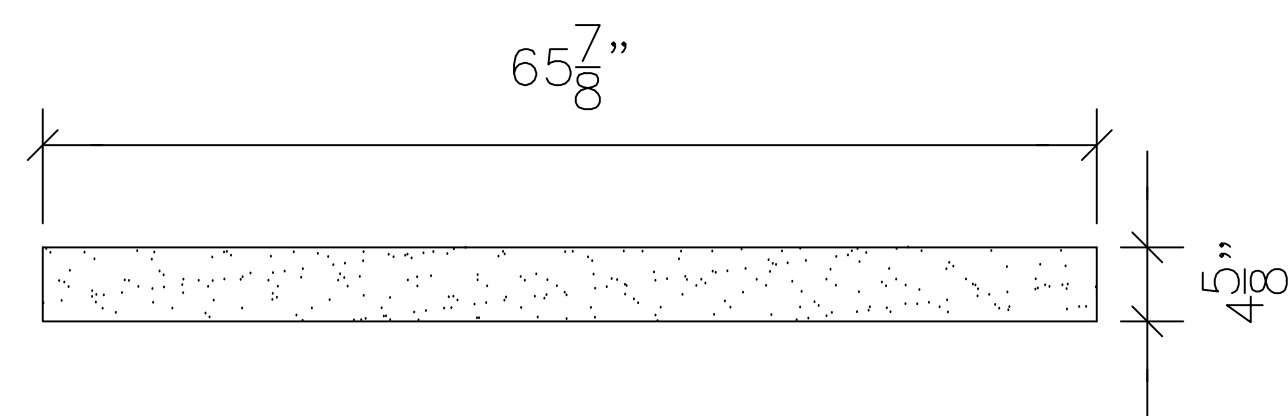


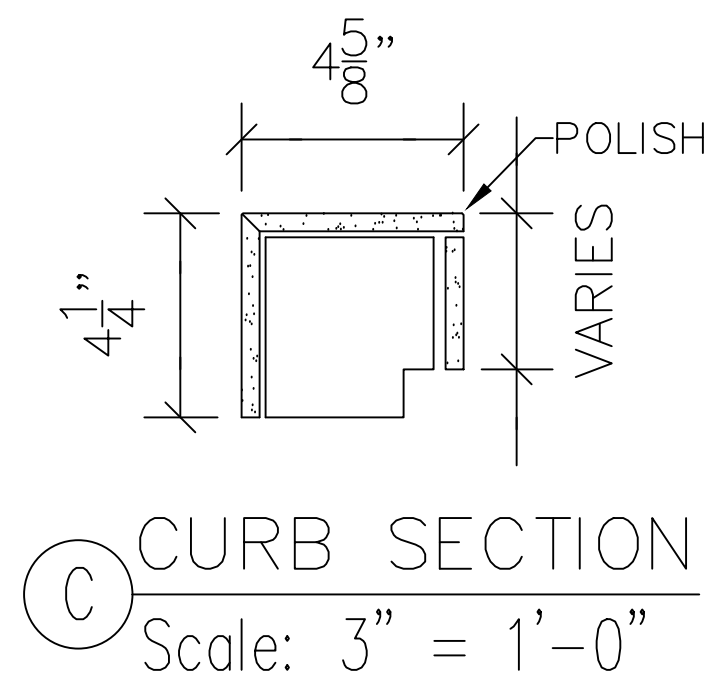
SHOWER PAN PLAN VIEW  
Scale: 1-1/2" = 1'-0"



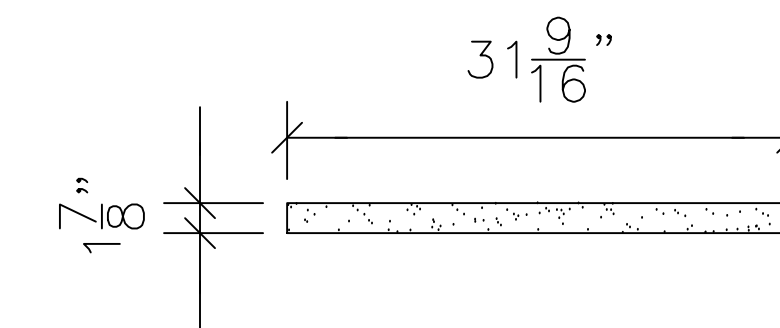
TERRAZZO DIMENSIONS  
Scale: 1" = 1'-0"



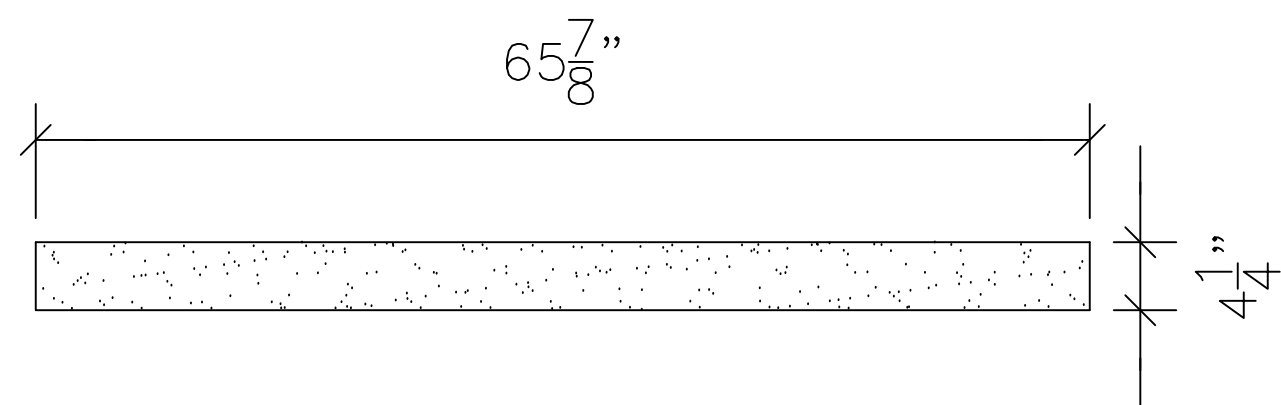
CURB PLAN VIEW  
Scale: 1" = 1'-0"



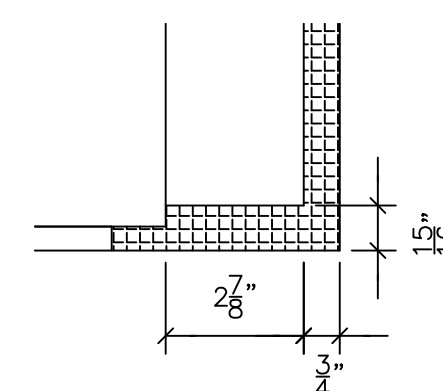
C CURB SECTION  
Scale: 3" = 1'-0"



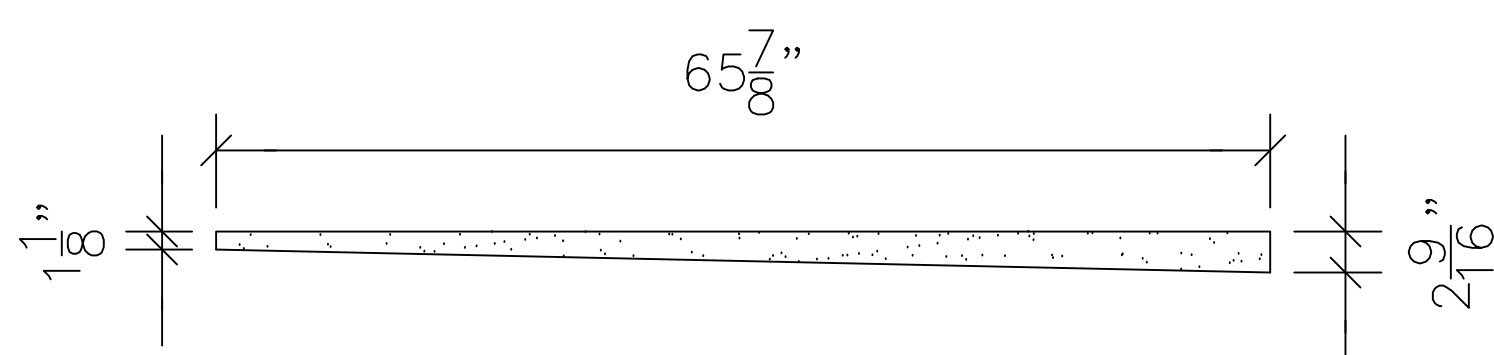
TILE-IN DRAIN PLAN  
Scale: 1" = 1'-0"



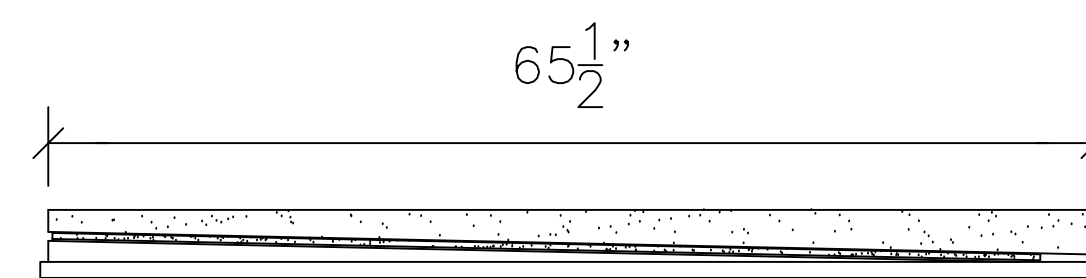
A CURB OUTSIDE PIECE  
Scale: 1" = 1'-0"



D DRAIN DETAIL  
Scale: 3" = 1'-0"



B CURB INSIDE PIECE  
Scale: 1" = 1'-0"



SHOWER PAN SECTION  
Scale: 1" = 1'-0"

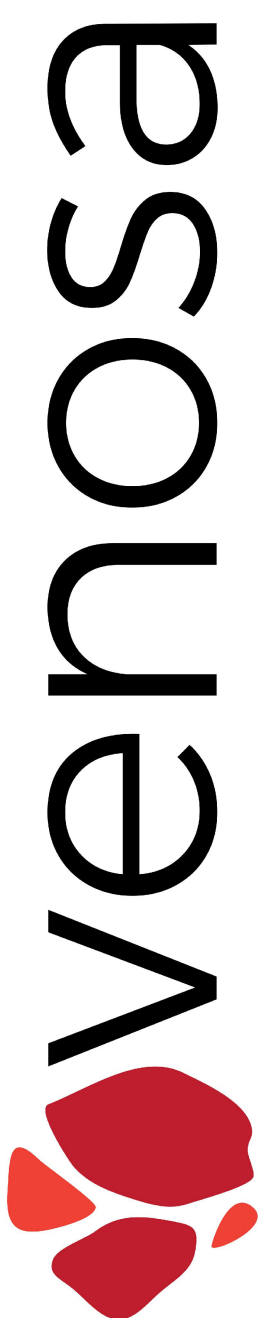
NOTES

ALL TERRAZZO PIECES TO FINISH AT 3/8" THICK

CURB CAN BE ON EITHER THE LEFT OR RIGHT SIDE OF THE SHOWER PAN

Approved By: \_\_\_\_\_  
 Printed NAME: \_\_\_\_\_  
 Signature: \_\_\_\_\_  
 Title: \_\_\_\_\_  
 Date: \_\_\_\_\_

Venosca Precast Terrazzo  
 4001 S. Brook St.  
 Louisville, KY 40214  
 (502) 907-6275  
 info@venosaprecast.com



DRAWN BY
DATE
REVISIONS
SHEET NO.

34" SHOWER PAN