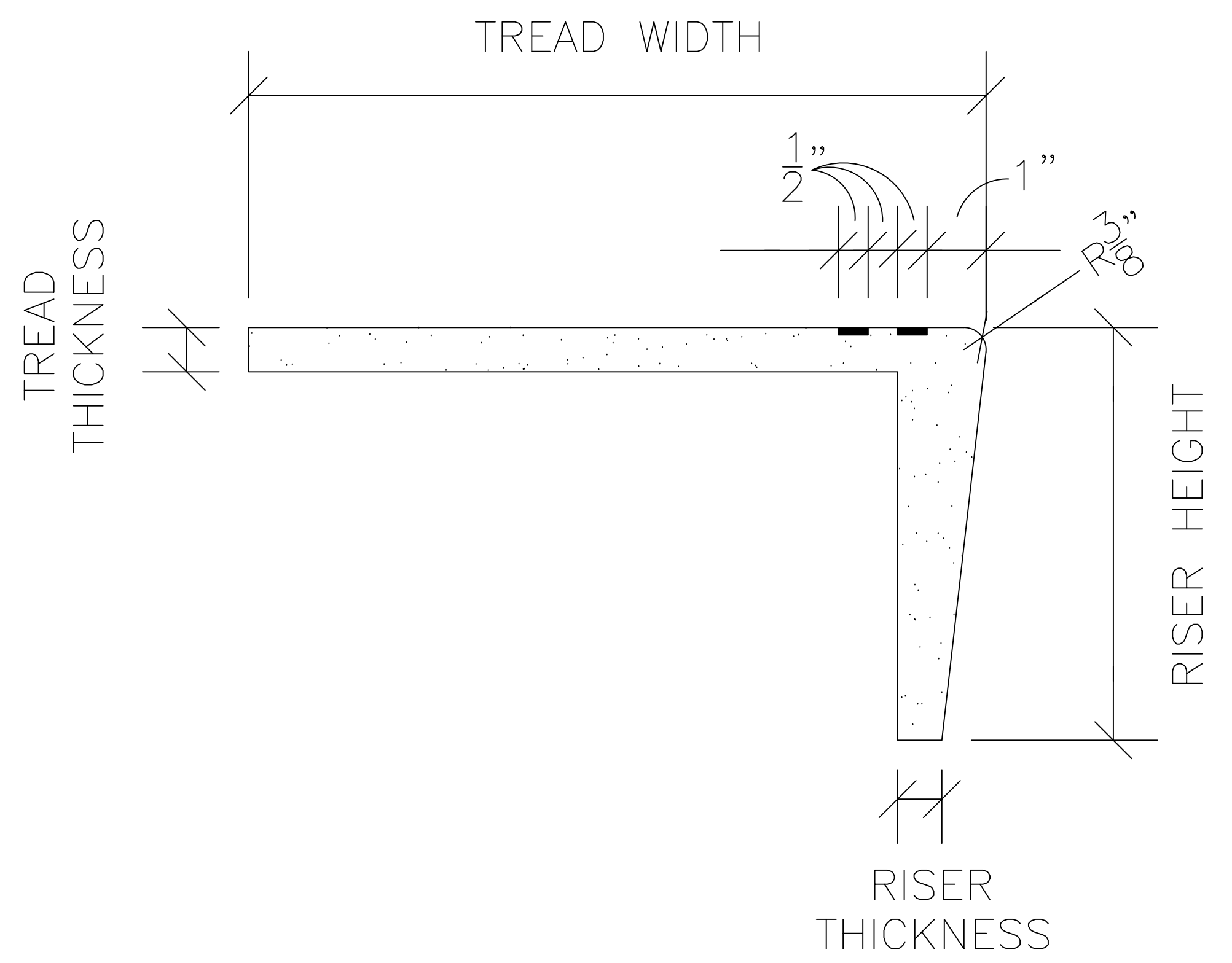


TREAD PLAN VIEW
Scale: 3" = 1'-0"

*INLAY STRIP MARGIN OPTIONAL



TREAD/RISER SECTION
Scale: 6" = 1'-0"